

SYSTEM OVERVIEW

The Telesis® FQ30DS is one laser in a family of maintenance-free, Q-switched, Ytterbium fiber lasers designed for marking applications. These lasers deliver a high power laser beam directly to the marking head via a flexible, metal-sheathed fiber cable. The fiber based optical design and rugged mechanical design allows the Telesis FQ30DS to operate in an industrial environment where shock, vibration, and dust are a concern.

The FQ30DS unique design allows for a remote beam delivery system. The galvanometer package is attached to a fiber-optic delivery system from a remote laser engine. This allows the overall package to be very small and modular.

The FQ30DS fiber laser offers these advantages:

- Standard 115/230 VAC operation
- Over 50,000 hours of reliable, maintenance-free performance
- Compact size and modular construction
- Output laser beam delivery via a fiber optic cable
- Exceptional beam quality and stable output power
- Active AO Q-switching
- Display for monitoring actual laser power
- Display for monitoring hours of operation
- Sealed head to prevent dust contamination in optical chamber
- Visible red diode for aiming and dry run operations
- Air cooled
- DoD-compliant Unique Identification (UID) marking
- Dual-sensor shutter safety circuit

SYSTEM CONFIGURATION

The FQ30DS is available in two configurations. One is capable of marking only stationary objects. The other is capable of marking objects while they are moving (i.e., mark-on-the-fly operation). The basic laser system consists of the following components.

Laser Controller – contains the laser source unit, circuit boards, electrical components, and the operator console

Fiber Optic Cable Assembly – with optical isolator

Laser Marking Head – includes the shutter assembly, visible red aiming diode, galvanometer assembly, and flat-field lens

Software – Merlin®II LS Laser Marking Software

System Computer – supplied by Telesis or by customer

The modular design allows for major components to be easily replaced and returned to Telesis if required.

FQ30DS Laser Marking System

SYSTEM SPECIFICATIONS

| | |
|-----------------------------------|--------------------------------|
| Compliance | CDRH, CE, CSA, UL |
| Laser Type..... | Q-switched Ytterbium fiber |
| Wavelength | 1060 nanometers (± 20 nm) |
| Long Term Output Power Drift..... | $< \pm 5\%$ |
| Expected Diode Lifetime..... | $> 50,000$ hours |
| Power Requirements..... | 95 to 250 VAC, 50/60 Hz |
| System Power (total)..... | < 280 watts |
| Maximum Supply Voltage | 264 VAC |
| Supply Voltage Fluctuation..... | $< \pm 10\%$ with clean ground |
| Operational Temperature..... | 18° to 35°C (65° to 95°F) |
| Recommended Temperature | 20° to 25°C (68° to 77°F) |
| Ambient Relative Humidity | 10% to 85% non-condensing |

SYSTEM OPTIONS

- Desktop computer or notebook computer with powered cardbus-to-PCI expansion enclosure
- Remote pushbutton station (start/abort)
- Externally-mounted focus-finder diode
- Mark-on-the-fly kit to interface with customer-supplied encoder for marking objects in motion (linear or circular)
- I/O options (see *Remote Communications* for details):
 - TTL via PCI-DIO24 Board (Kit #53920)
 - Opto-isolated via Merlin DCIO Module (Kit #53928)
 - Two-axis Controller (for auxiliary axes; additional I/O)
- Programmable tool post for vertical (z-axis) adjustment (requires two-axis controller)
- Rotary drive fixture for rotational (theta-axis) adjustment (requires two-axis controller)
- Workstation / work area enclosure
- Fume extraction systems

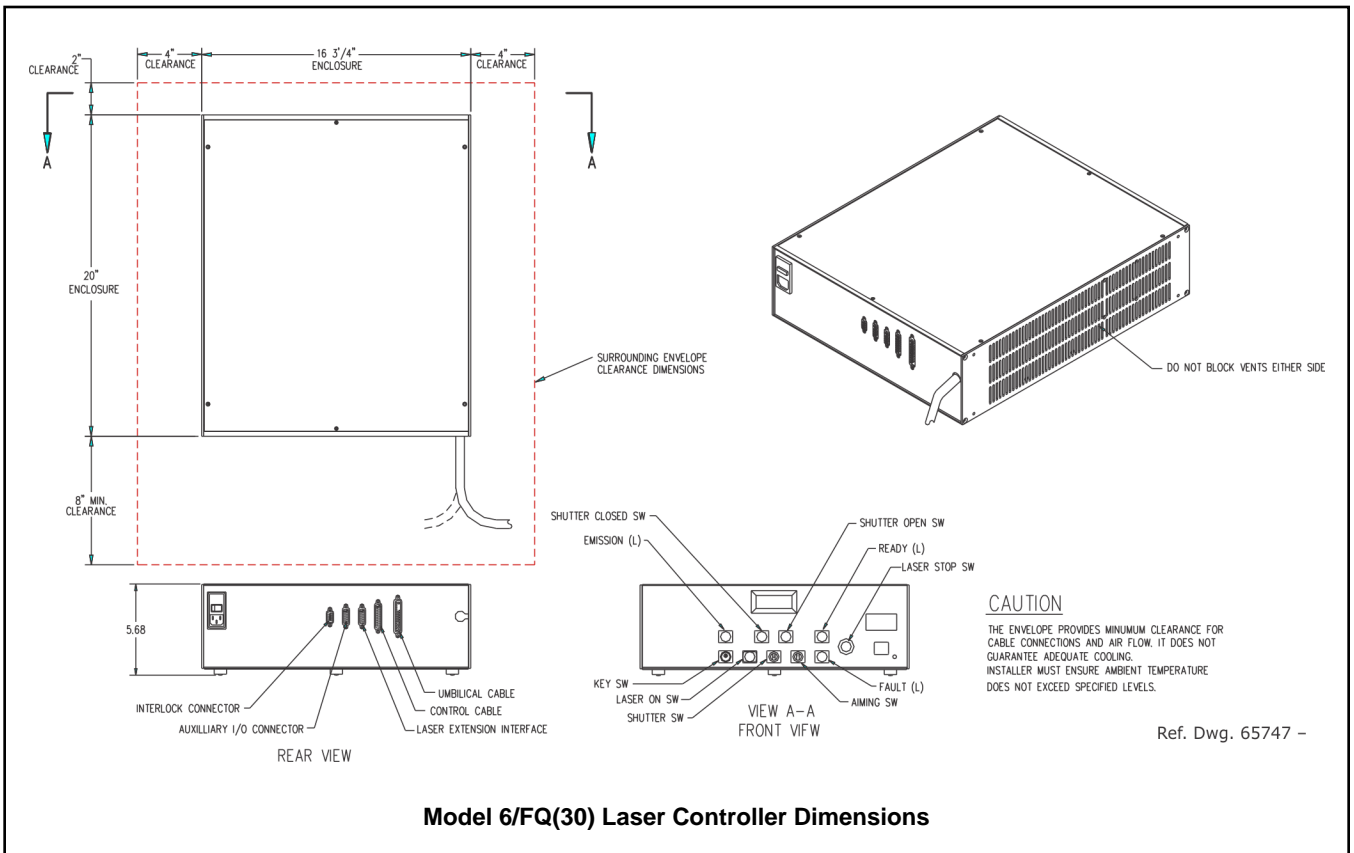
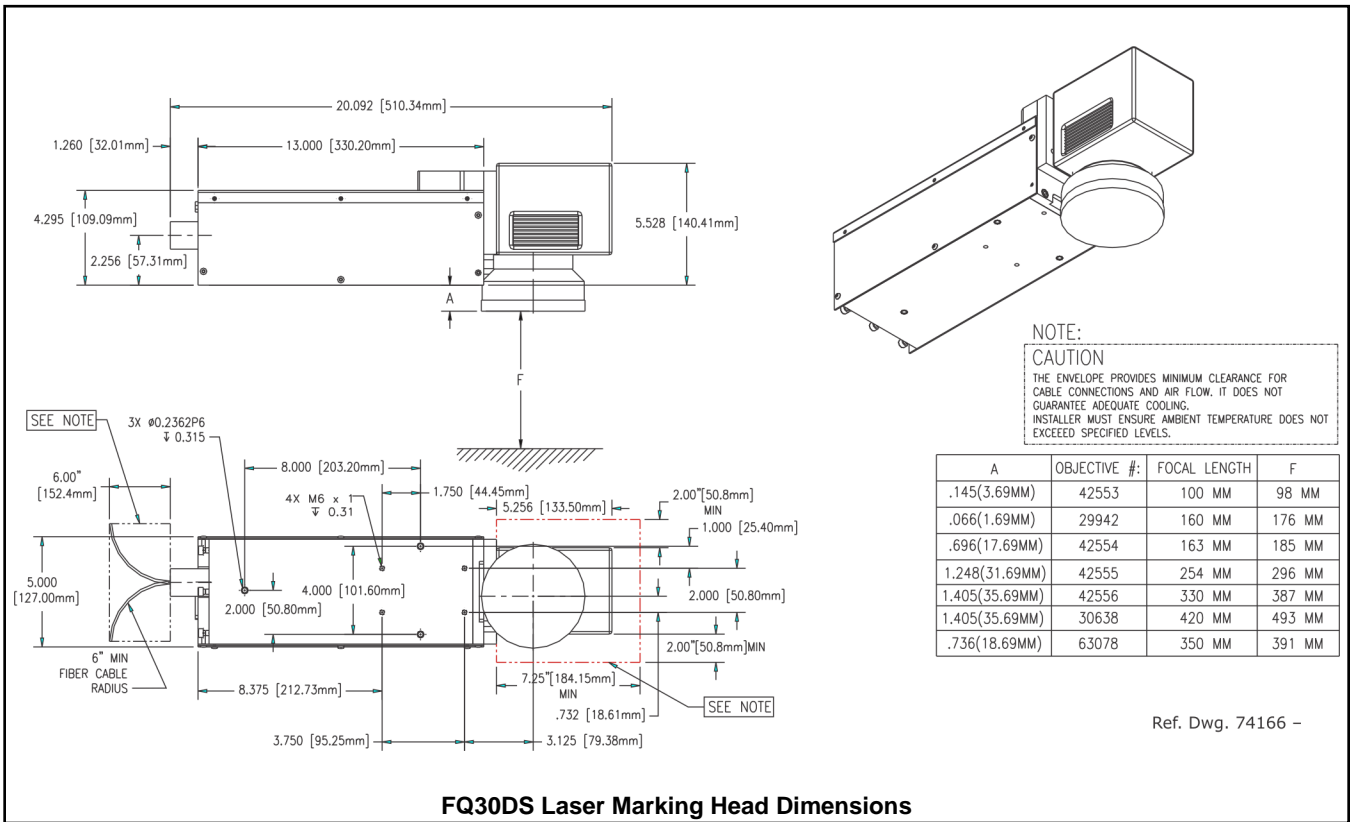
SYSTEM SETUP

The following procedures are listed for reference only to provide a general overview of the installation process. Refer to the *FQ30DS Installation & Maintenance Manual* for complete installation details.

Do not connect any power cable to power source until all system connections are made.

1. Equipment should remain powered down and in OFF position until mounting is complete.
2. Place the laser controller, system computer, monitor, and keyboard in the desired location. Locate controller as close as practical to laser marking head – typically within 5m (16 feet).
3. Ensure sufficient clearance exists on all sides of the laser controller to allow for proper air circulation and to permit proper installation of applicable cables. Refer to the *Model 6/FQ(30) Laser Controller Dimensions* drawing for details.
4. Place the laser marking head on a suitable mounting surface.
5. Ensure sufficient clearance exists on all sides of the laser marking head to allow for proper air circulation and to permit proper installation of applicable cables.
6. Secure laser marking head to mounting fixture with four M6-1.0 bolts and lock washers using the four factory-tapped mounting holes provided in the marking head base plate.
7. Select proper fuse arrangement for the laser controller. Refer to the *FQ30DS Installation & Maintenance Manual*. Connect power cable controller.
8. Connect remaining cables, as applicable.
9. Refer to *FQ30DS Operation Supplement* for proper startup procedure. Refer to the *Merlin II LS Operating Instructions* for complete information on using the system software.

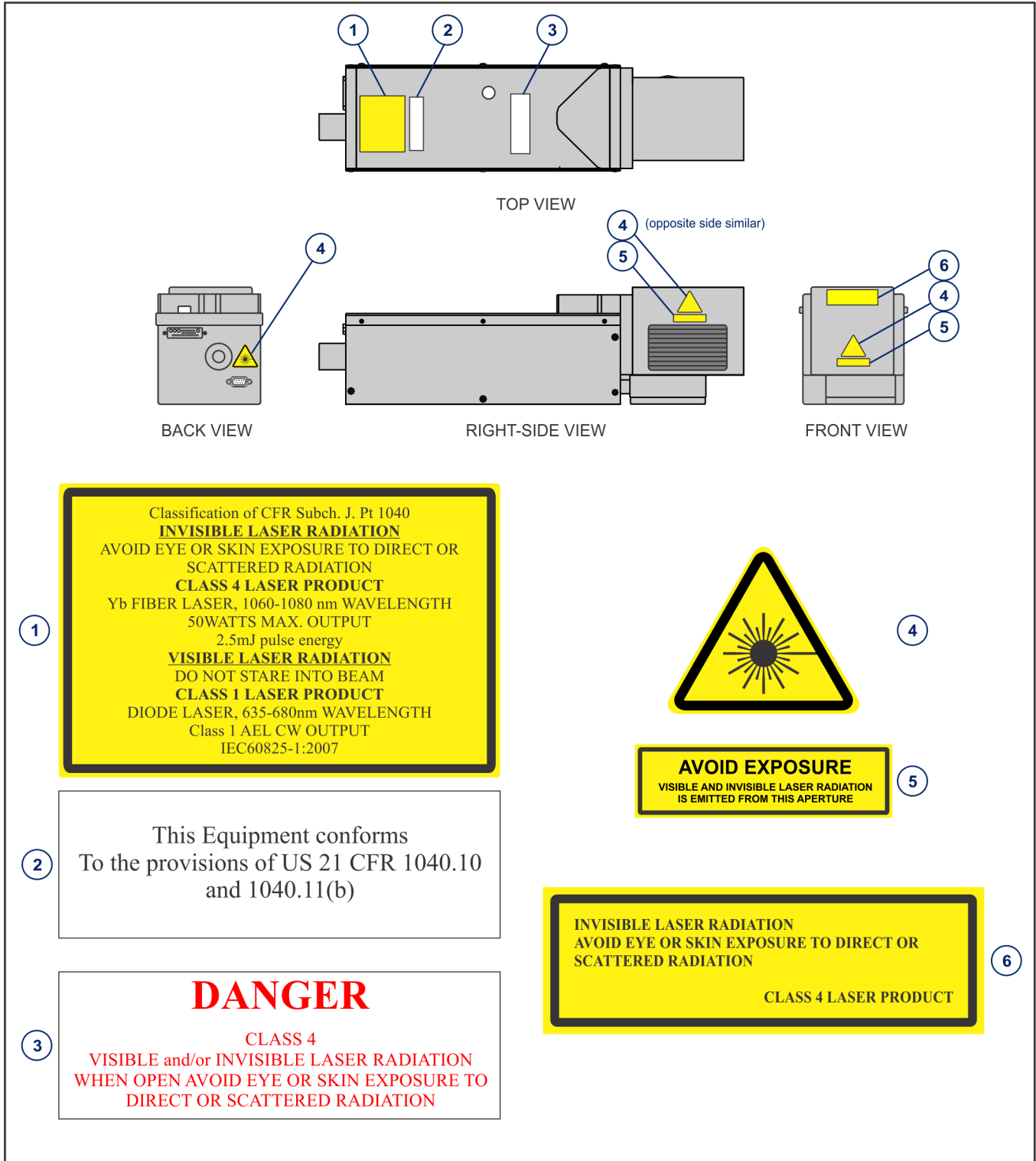
FQ30DS Laser Marking System



FQ30DS Laser Marking System

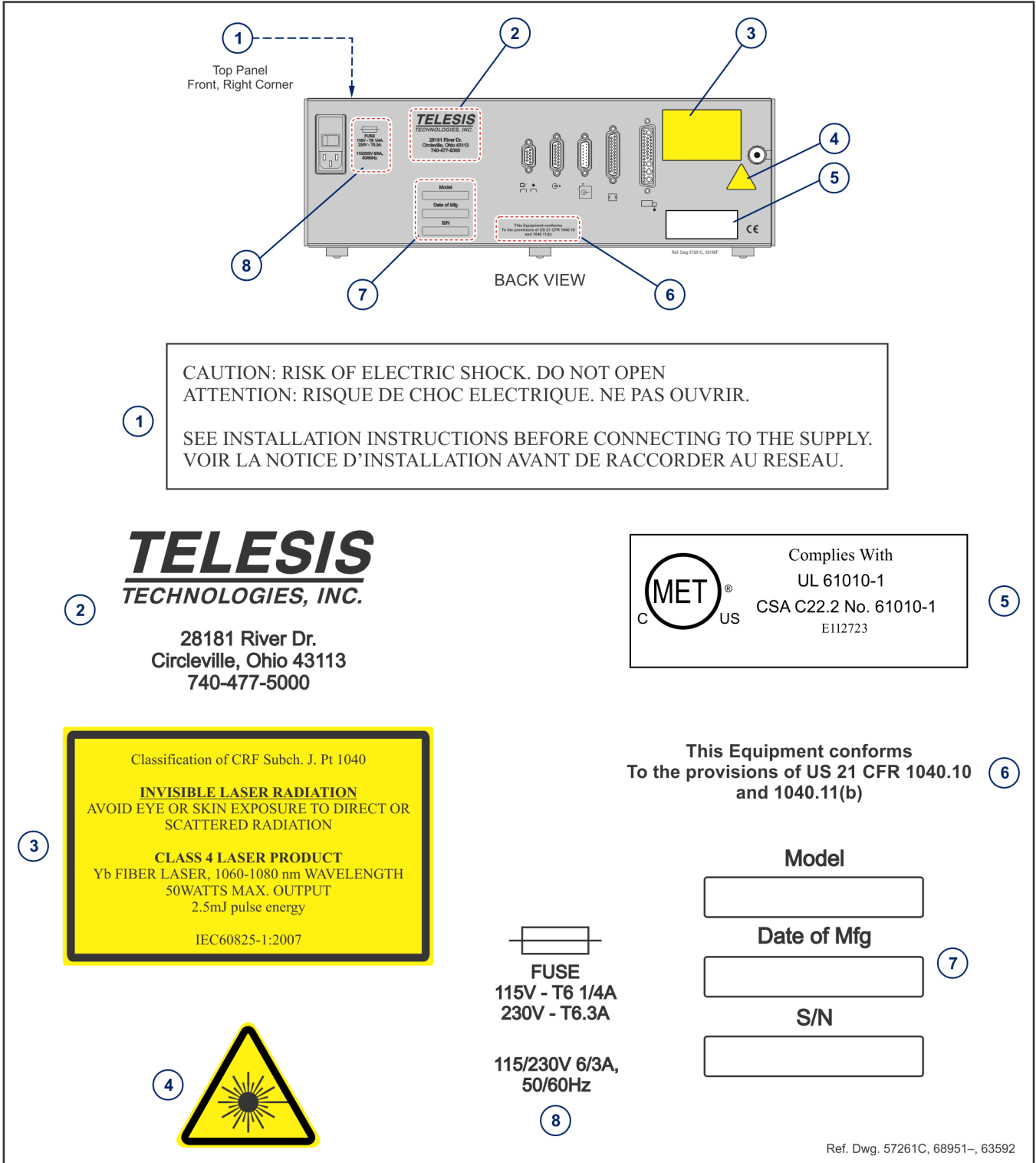
FQ30DS LASER MARKING HEAD LABELS

The following illustration shows the labels and their locations on the FQ30DS laser marking head. Please familiarize yourself with the laser labels and their locations prior to operating the laser marking system.



MODEL 6/FQ(30) LASER CONTROLLER SAFETY LABELS

The following illustration shows the labels and their locations on the Model 6/FQ(30) laser controller. Please familiarize yourself with the laser labels and their locations prior to operating the laser marking system.



FQ30DS Laser Marking System

FQ30DS LASER MARKING HEAD

The laser marking head includes the shutter assembly, visible red aiming diode, circuit board, galvanometer assembly, and the flat-field lens. The beam collimator and isolator (at the end of the fiber optic cable) are enclosed within the laser marking head.

FQ30DS Laser Marking Head Specifications

| | |
|---------------------------------|--|
| Dimensions (L x W) | 510.34 x 127.000 mm (20.092 x 5.000 in.) |
| Dimensions (H)..... | Dependent on lens selection: 100mm: 144.10 mm (5.673 in.) 160mm: 142.10 mm (5.594 in.) 163mm: 158.10 mm (6.224 in.) 254mm: 172.10 mm (6.776 in.) 330mm: 176.10 mm (6.933 in.) 350mm: 159.10 mm (6.264 in.) 420mm: 176.10 mm (6.933 in.) |
| Surrounding Envelope | see <i>FQ30DS Laser Marking Head Dimensions</i> drawing |
| Electrical Power | 60 watts (approximate) |
| Mounting Weight | approx. 6.82 Kg (15 lbs.) |
| Mounting | four factory-tapped M6-1.00 holes |
| Positioning..... | visible (red) aiming diode |
| Field Resolution | 16 bit (65535 data points) |
| Galvanometer Repeatability | < 22 micro radian |
| Marking Field Size | lens-dependent, see chart |
| Fiber Optic Cable..... | 3 m (9.8 ft.) |
| Laser Marking Head Cable..... | 5 m (16.4 ft.), detachable |
| Laser Extension Cable | 3.05 m (10.0 ft.), detachable |

Dual-Sensor Shutter Circuit

The FQ30DS laser marking head employs a self-monitoring safety circuit using two separate sensors to detect the closed-state of the laser shutter mechanism. The sensor signals can be monitored at the DB9P Dual Sensor connector on the back panel of the laser marking head. When the shutter is open, the sensor feedback signals are OFF. When the shutter is closed, the sensor feedback signals are ON.

Visible Red Aiming Diode

The laser marking head produces a visible red diode that may be viewed on the work surface without the need for protective safety goggles. This provides a safe and convenient aid for laser setup and part programming. Since the red beam is located *after* the shutter, the aiming diode may be used with the shutter opened or closed. Additionally, the visible red beam may be used with the lasing beam during the marking cycle. **Note that protective eyewear must always be worn when the laser is in operation.**

Marking Field Size

The size of the marking field is dependent on type of lens installed on the laser marking head. See *Flat-Field Lens*.

Marking Depth

Simple laser parameters can be operator programmed to create depths ranging from simple surface discoloration, shallow laser etching, or deep laser engraving. Marking depth is dependent on several factors including material, lens type selected, and laser marking parameters. Please contact Telesis for the proper setting for your specific application.

Flat-Field Lens

The flat-field lens is key to the marking performance of the system. This is the final coated optical lens that the beam will pass through before it strikes the marking target. This lens is called a flat field lens because when the beam is focused, the focus lies in a plane perpendicular to the optical axis of the lens. To protect the final objective lens from dust and debris, a clear protective cover is inserted between the work area and the lens.

The following chart outlines the available lenses, the resulting image field (marking window) provided by the lens, and the working clearance (in millimeters and inches) to properly focus the laser for marking.

| Lens | Image Field | | Working Clearance | |
|--------|-------------|---------------|-------------------|-------|
| | (mm) | (in.) | (mm) | (in.) |
| 100 mm | 65 x 65 | 2.56 x 2.56 | 98 | 3.86 |
| 160 mm | 90 x 90 | 3.54 x 3.54 | 176 | 6.93 |
| 163 mm | 110 x 110 | 4.33 x 4.33 | 185 | 7.28 |
| 254 mm | 175 x 175 | 6.89 x 6.89 | 296 | 11.65 |
| 330 mm | 230 x 230 | 9.06 x 9.06 | 387 | 15.24 |
| 350 mm | 250 x 250 | 9.84 x 9.84 | 391 | 15.39 |
| 420 mm | 290 x 290 | 11.42 x 11.42 | 493 | 19.41 |

MODEL 6/FQ(30) LASER CONTROLLER

The laser controller houses the laser source unit, power supplies, circuit boards, programmable logic controller, control relay, cooling fan, a 115/230VAC IEC320 connector, and a front panel control module.

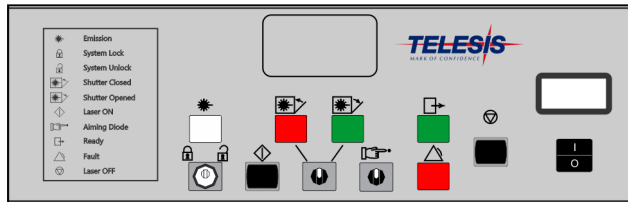
The laser source unit generates the lasing beam. Engineered for the greatest reliability and for ease of maintenance, the laser source is an easily replaceable sealed module with expected lifetime of greater than 50,000 operating hours.

Model 6/FQ(30) Laser Controller Specifications

| | |
|------------------------------|---|
| Dimensions (W x H x D) | 425.5 x 144.3 x 508.0 mm 16.75 x 5.68 x 20.00 in. |
| Surrounding Envelope..... | see <i>Model 6/FQ(30) Laser Controller Dimensions</i> drawing |
| Weight..... | approx. 15 Kg (33 lbs.) |
| Cooling..... | air cooled, fan |

Operator Control Panel

The front panel control module includes the system key switch, laser off push button, manual safety shutter control, function indicators, and an LCD panel to monitor elapsed emission time.



Model 6/FQ(30) Laser Controller

Fiber Optic Cable Assembly

The lasing beam is delivered to the laser marking head from the laser controller through a fiber optic cable. One end of the fiber optic cable is permanently attached to the laser source unit inside the laser controller. The opposite end of the cable includes a beam collimator and isolator that is enclosed within the laser marking head assembly. The standard fiber optic cable for the FQ30DS is 3m (9.8 ft.) long.

Optical Isolator

To prevent back reflections an *optical isolator* is used in all standard FQ30DS Laser Marking Systems. Installed on the laser marking head end of the fiber optic cable, the isolator functions as a one way check valve allowing laser light to exit the laser but not return to the laser's most sensitive optical components.

FQ30DS Laser Marking System

SYSTEM COMPUTER

The laser system requires an IBM-compatible computer for running the Merlin II LS Laser Marking Software. The system computer may be a desktop or a notebook computer and may be supplied by Telesis or by the customer.

All system computers supplied by Telesis have the laser/galvo controller board and the Merlin II LS software installed prior to shipment so the entire assembly is tested as a laser marking system. Warranties for the computer, keyboard, monitor, and peripherals default to the original equipment manufacturer.

If the system computer is supplied by anyone other than Telesis it must use the following software:

Operating System Windows® 2000, XP, 7 (32-bit Edition), or Vista® (Business Edition)

Operator Interface.... Telesis Merlin II LS Laser Marking Software

Additionally the system computer must, at a minimum, meet the following specifications:

Processor Pentium® III with RAM as recommended per operating system

Hard Drive 2 GB Hard Disk Drive

External Drives CD-ROM Drive

Comm Ports One available RS-232 Serial Port,
Two available USB Ports,
Two available Ethernet Ports,
Two available full-height PCI Slots*

Circuit Cards Laser/Galvo Controller Board,
Video Board

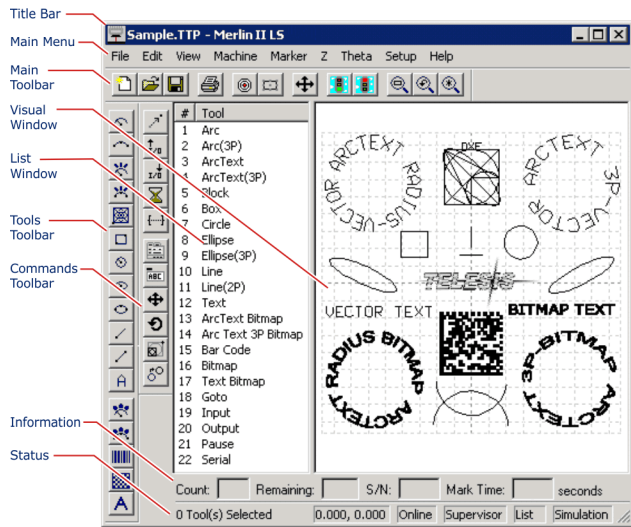
Peripherals SVGA Color Monitor, Mouse, Keyboard

* One additional PCI slot required if system is configured for mark-on-the-fly operation. If the system computer is a notebook, expansion must be used to provide the PCI slots.

SYSTEM SOFTWARE

The powerful Telesis Merlin II LS Laser Marking Software is a Windows® based software package that comes with the standard laser marking system. It is a graphical user interface that makes marking pattern design quick and easy. The WYSIWYG (what-you-see-is-what-you-get) interface provides a to-scale image of the pattern as it is created. Just “click and drag” for immediate adjustment to field size, location, or orientation.

The Merlin II LS software includes tools to create and edit text at any angle, arc text, rectangles, circles, ellipses, and lines. Multiple fields may be grouped and saved as a block to form a logo. Existing DXF files can also be imported for marking. Non-printable fields can be created to clearly display a graphical representation of the part being marked.



Merlin II LS User Interface

Merlin II LS Laser Marking Software Specifications

| | |
|---------------------------|---|
| Font Generation | True Type Fonts |
| Barcodes and Matrix | 2D Data Matrix, PDF417, BC 39, Interleaved 2 of 5, UPCA/UPCE BC 128, Maxi Code, Code 93, QR Code and others |
| Graphic Formats | Raster and Vector: BMP, GIF, JPG, WMF, EMF, DXF, CUR, ICO |
| Serialization | Automatic and Manual Input Host Interface Capable |
| Linear Marking | Scalable w/ Letter Spacing Control |
| Arc Text Marking | Scalable and Adjustable |
| Drawing Tools | Line, Rectangle, Circle, Ellipse |

Remote Communications

The communication capability of the laser marking software allows you to control the laser from remote I/O devices. Remote communications can be performed by connecting to a Host computer, an optional I/O kit, or an optional two-axis Auxiliary Controller.

The rear panel of the controller also provides a connector to monitor output signals that report the status of the shutter, laser emission, and fault conditions.

Host Communications. Remote communications may be executed from a host computer using RS-232 or Ethernet (TCP/IP) connections to the system computer (i.e., the PC running the Telesis laser marking software). The software provides parameters to define the data transmitted to and from the host. For more information on using and configuring these parameters, refer to the *Merlin II LS Operating Instructions*.

I/O Kits. Telesis offers optional kits that provide programmable I/O signals in addition to the standard input signals (Go, Abort, Input 1 through Input 4) and standard output signals (Done, Ready, Paused, Output 1 through Output 3). For more information on connecting and using the additional I/O signals, refer to the I/O Installation Supplement provided in each of the kits.

- **Kit #53920** is available for all systems that use an *external computer*. It provides an additional 6 inputs and 6 outputs. It includes the I/O board, pre-installed SIPs resistor packs, software driver CD, and installation documentation. **This kit does not provide opto-isolated signals. Telesis does not endorse direct connection of I/O signals to the I/O board. Direct connections to high current/high voltage devices will damage the board.** The installer/integrator must provide opto-isolation between remote I/O devices and the I/O board.
- **Kit #53928** is available for all systems that use an *external computer*. It provides an additional 6 inputs and 6 outputs. It includes the I/O board, pre-installed SIPs resistor packs, software driver CD, Telesis Interface Module (#53423), two cable assemblies, and installation documentation. This kit provides opto-isolated signals between remote I/O devices and the I/O board using a Telesis interface module so additional I/O racks or opto-isolated board assemblies are not required.

Two-axis Controller. Telesis offers an optional two-axis controller for all laser systems that use the Merlin II LS Laser Marking Software. The auxiliary controller provides an interface for connecting a Z-axis tool post and/or a Theta-axis rotary drive unit. An optional board allows connection of two additional linear axes. For installation details, refer to the *Auxiliary Controller Installation & Maintenance Manual* supplied with the two-axis controller.

Communications Protocol

Two types of host interface are supported (RS-232 or TCP/IP) and two communication protocols are provided through the Merlin II LS laser marking software: Programmable and Extended.

Programmable Protocol. Programmable protocol provides one-way (receive only) communication with no error checking or acknowledgment of the transmitted data. You may use Programmable protocol to extract a continuous portion of a message string to print. This can be used with a host computer or a bar code scanner. Note that XON/XOFF Protocol applies even when Programmable Protocol is selected.

The Programmable Protocol Message Type identifies the type of message sent from the host. It determines how the marker uses the data it extracts from the host message string when Programmable Protocol is used.

- 49 Message type 49** (ASCII 1) overwrites the content of the first text-based field in the pattern with the data extracted from the host message. Note that if the field contains message flags, they will be overwritten, not updated.
- 65 Message type 65** (ASCII A) updates the Offset Angle parameter with the data extracted from the host message. Syntax for the transmitted string is $\pm n$ where \pm is a positive or negative sign and n is an integer that represents the offset angle for the marking window.
- 72 Message type 72** (ASCII H) updates the Offset X/Y parameters with the data extracted from the host message. Syntax for the transmitted string is $\pm X.X, \pm Y.Y$ where \pm is a positive or negative sign, $X.X$ represents the X-axis offset distance, and $Y.Y$ represents the Y-axis offset distance.
- 80 Message type 80** (ASCII P) indicates the data extracted from the host message is the name of the pattern to be loaded.
- 81 Message type 81** (ASCII Q) updates the text in the first query text buffer (buffer 0) with the data extracted from the host message.
- 86 Message type 86** (ASCII uppercase V) updates the text in the first variable text field in the pattern with the data extracted from the host message.
- 118 Message type 118** (ASCII lowercase v) updates the first text field encountered in the pattern that contains a variable text flag that matches the specified string length.
- 0 Message type 0** (zero) indicates that host will provide message type, field number (if applicable), and data;. This delegates message type selection to the host on message-by-message basis. The host message must use the format:

Tnn<string>

where:

T = the message type (1, A, H, P, Q, V, or v)
nn = the two-digit field number or query text buffer where data will be placed.

Note: Not used with Message Types A, H, P.

<string>= the pattern name to load (Message Type P).
or
the data to be inserted into the field or the query text buffer, as applicable (Message Types 1, Q, V, or v).

FQ30DS Laser Marking System

Communications Protocol (continued)

Extended Protocol. Extended protocol provides two-way communication with error checking and transmission acknowledgment. It is designed to provide secure communications with an intelligent host device using pre-defined message formats and response formats where serial communication is a vital part of the marking operation.

All communications are carried out in a parent/child relationship with the host being the parent. Only the host has the ability to initiate communications. The following describes the Extended Protocol message format as sent from the host to the Merlin II LS software.

SOH TYPE [##] STX [DATA] ETX BCC CR

where:

- SOH** ASCII Start of Header character (001H). The system ignores all characters received prior to the SOH.
- TYPE** A single, printable ASCII character that defines the meaning (type) and content of the message downloaded from the host, where:
- 1** **Message Type 1** provides data to a text string in the pattern or polls the pattern for data. See [DATA] for details.
 - A** **Message Type A** provides data to the system Offset Angle parameter for the marking window or polls the system for data. See [DATA] for details.
 - E** **Message Type E** allows the host to take the machine offline. It also provides the option of displaying an error message box with the provided data string. See [DATA] for details.
 - G** **Message Type G** initiates a print cycle.
 - H** **Message Type H** provides data to the system X/Y Offset parameters or polls the system for data. See [DATA] for details.
 - I** **Message Type I** polls the system for the I/O status.
 - O** **Message Type O** places the marker online. This allows a host computer to reset. For example, this may be used to recover from a power outage when the marker is unattended.
 - P** **Message Type P** loads a pattern or polls the system for the current pattern name. See [DATA] for details.
 - Q** **Message Type Q** provides data to the system query text buffer or polls the system for data. See [DATA] for details.
 - S** **Message Type S** polls the system for the machine status. The machine status is returned to the host in an eight-character hexadecimal mask.
 - V** **Message Type V** provides data to a variable text string in the pattern or polls the pattern for data. See [DATA] for details.
- [##] Optional two-digit ASCII number that specifies the Station ID of the system in multi-drop network applications. The ID may range from 00-31. Note that "00" is reserved for applications where only one controller is used. In such applications, this field may be eliminated and "00" will be assumed.

- STX** ASCII Start of Text Character (002H).
- [DATA]** Character string that may be required for certain message types (e.g., Type 1, A, E, H, P, Q, or V). Typically, data is sent in the format:
- nn<string>**
- where:
- nn** = the two-digit field number or query text buffer where data will be placed. (Message Types 1, Q, or V).
 - <string>** = the data to be inserted into the field or the query text buffer, as applicable (Message Types 1, Q, or V).
 - or
 - the pattern name to load (Message Type P).
 - or
 - the value of the X/Y Offset (Message Type H).
 - or
 - the value of the Offset Angle (Message Type A).
- ETX** ASCII end of text character (003H).
- BCC** Optional Block Check Code that is generated and sent to improve link reliability by providing fault detection. The BCC is calculated by taking an eight bit addition of the TYPE and DATA TEXT characters and transmitting them as a three digit ASCII decimal number in the range from 000 to 255. If the sum is greater than 255, the most significant bit overflows and is discarded.
- CR** ASCII Carriage Return Character (00DH).

TRADEMARKS

Telesis and **Merlin** are registered trademarks of Telesis Technologies, Inc. in the United States and/or other countries.

Pentium is a registered trademark of Intel Corporation in the United States and other countries.

Windows and **Vista** are registered trademarks of Microsoft Corporation in the United States and other countries.